

Length: Front width: Rear width: Wheelbase: Height: Weight:

Engine

Diff.Oil

Clutch bell

Type:

Front:Grease

13T 14T other:

Gasket:

Center:Grease

Spur gear

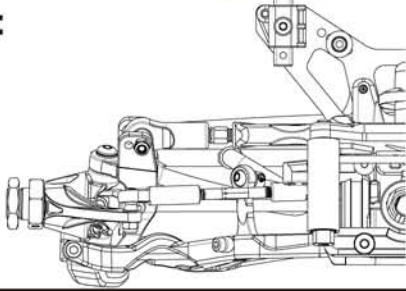
Plug:

Rear:Grease

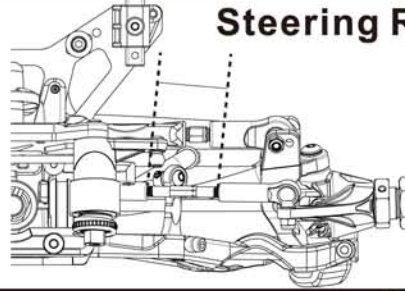
40T other:

Fuel:

Front Arms:

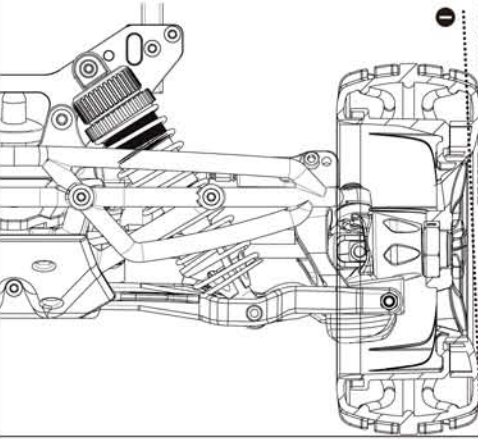


Steering Rod:



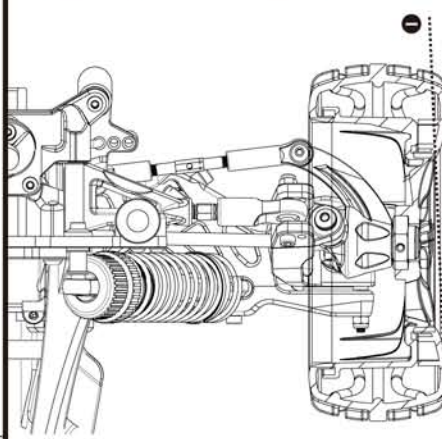
Front Suspension:

_____ Deg.

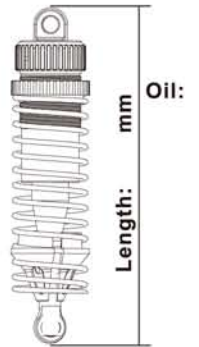


Front Toe angle:

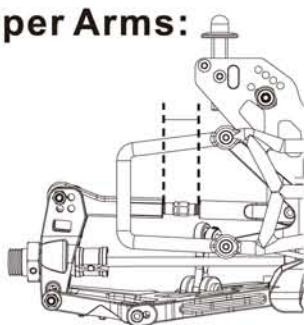
_____ Deg.



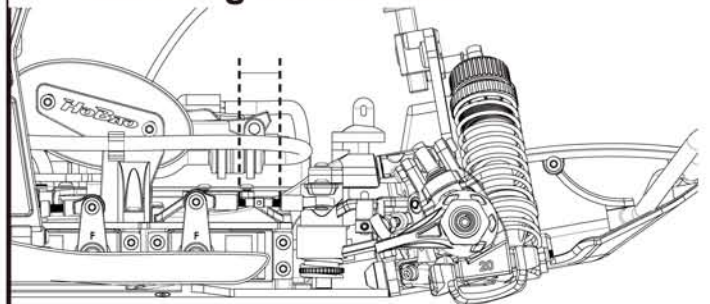
Front Shock:



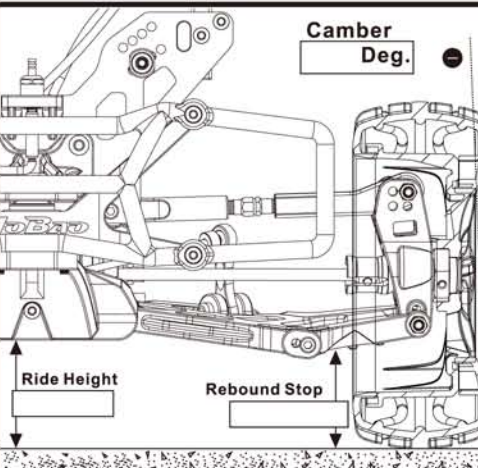
Rear Front Upper Arms:



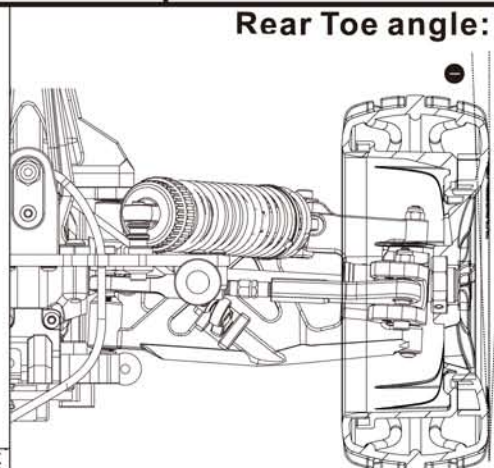
Steering Servo Rod:



Camber
_____ Deg.



Rear Toe angle:



Rear Shock:

